



Wellcomme™ Ultra
 Floor-mounted top spud flushometer bowl w/ bedpan lugs
K-96053-L

Features

- Elongated bowl, standard height.
- 1½" (38 mm) top spud.
- Bedpan lugs. Also available with antimicrobial finish K-96053-SSL.
- 10" or 12" (254 or 305 mm) rough-in.
- Replaces Wellcomme K-4350-L and Wellworth K-4406-L.
- 1.1 gpf (4.2 lpf), 1.28 (4.8 lpf) or 1.6 gpf (6.0 lpf) depending on flushometer specified.
- 10" x 7" (254 mm x 178 mm) water surface.
- 2-1/8" (54 mm) fully glazed trapway.

Material

- Vitreous china.

Technology

- Designed to outperform competitors in bowl cleanliness and plug resistance.
- Reduced splashing.
- Maximum waste removal.
- Improved toilet seat cover removal.
- Excellent bowl rinse.
- Engineered to flush effectively in buildings with low supply pressure and flow. Tested to 25 psi and 19 gpm.
- Maximum drainline carry at all flush volumes per ASME Standard.

Included Components

Additional Components:

- Bolt cap accessory pack
- Spud



Codes/Standards



- ASME A112.19.2/CSA B45.1
- DOE - Energy Policy Act 1992
- EPA WaterSense®
- California Energy Commission (CEC)

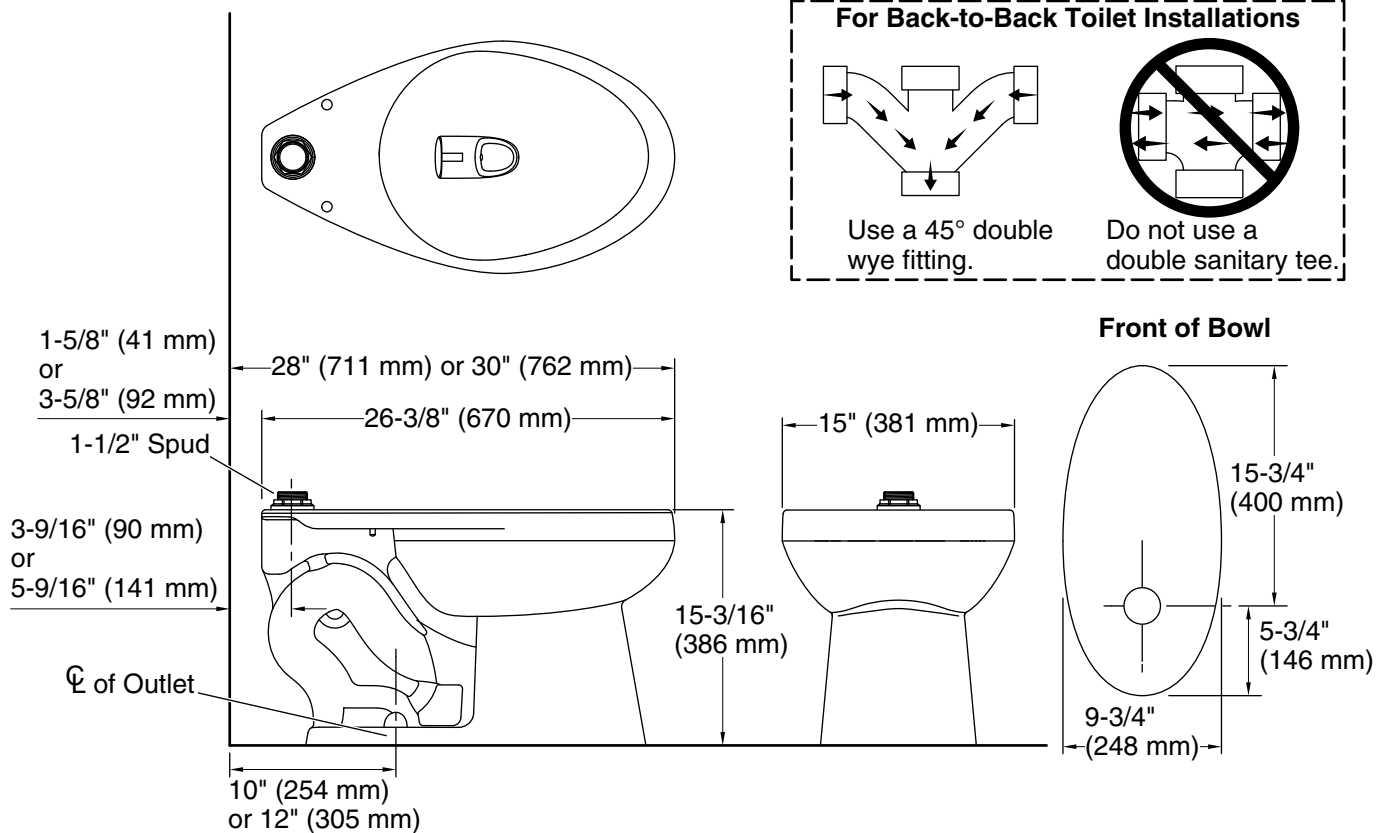
KOHLER® One-Year Limited Warranty

See website for detailed warranty information.

Available Colors/Finishes

Color tiles intended for reference only.

Color	Code	Description
	0	White
	7	Black Black™



Technical Information

All product dimensions are nominal.

Toilet type:	Flushometer, Floor-mount
Waste Outlet:	Floor
Bowl shape:	Elongated
Flush type:	Flushometer valve siphon
Spud size:	1-1/2", Inlet, Top
Trap passageway:	2-1/8" (54 mm)
Water Consumption	
Full:	1.1 gpf (4.3 lpf) or 1.28 gpf (4.8 lpf) or 1.6 gpf (6 lpf)
Water surface size:	10" x 7" (254 mm x 178 mm)
Rim to water surface:	6" (152 mm)
Rough-in:	10" (254 mm)
Seat-mounting holes:	5-1/2" (140 mm)

Fixture Supply Requirements

Min static pressure:	35 psi (241.3 kPa)
Max static pressure:	80 psi (551.6 kPa)
Min flowing	25 psi (172.4 kPa)

Notes

Install this product according to the installation instructions.

For back-to-back toilet installations: Use only a 45° double wye fitting.

If Fixture Supply Pressure is below 35 psi static, then fixture must be paired with a valve rated at 1.28 gpf or greater.

Requires flushometer valve to match desired water consumption 1.1 gpf (4.3 lpf) or 1.28 gpf (4.8 lpf) or 1.6 gpf (6 lpf).